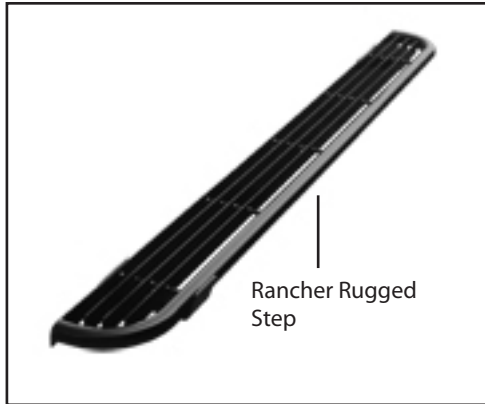


## Rancher Rugged Step

Installation Instructions

**42359**

Chevy/GMC Silverado/ Sierra  
 1500 Crew Cab '01 - '08



**Diagram 1**

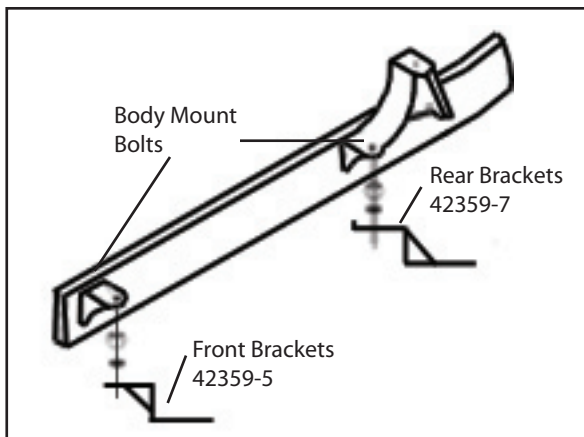
### NOTE: Rancher Rugged Steps ships in two boxes

**Parts List:**

2 - Rancher Rugged Step	2 - Front Brackets #42359-5
2 - Mud Scraper	2 - Rear Brackets #42359-7
2 - 1/2" x 1 1/4" HH Bolts	
2 - 1/2" Lockwashers	
2 - 1/2" Hex Nuts	
2 - Non-Skid Tape 16"	
2 - Non-Skid Tape 20"	
4 - 1/2" Flatwashers	
8 - T - Bolts	
8 - 1/2" Hex Nuts	
8 - 1/2" Flat Washers	
8 - 1/2" lock Washers	

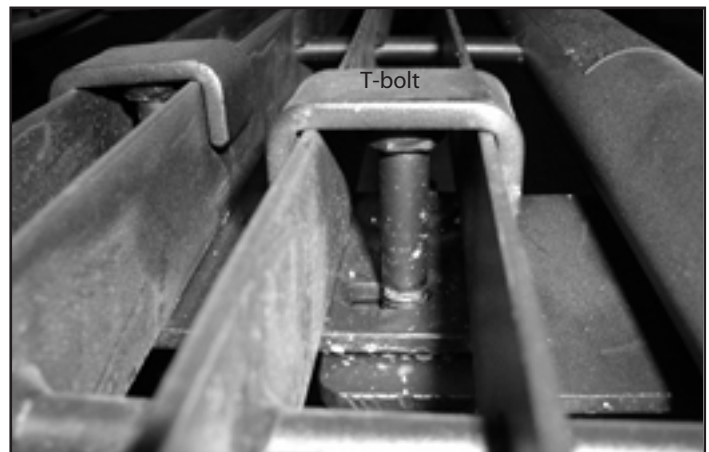
1. Remove the contents from the box and check for missing pieces or damage. If parts are missing or damaged, contact the original place of purchase. Read the instructions completely before beginning.
2. To install the front brackets #42363-5 and rear brackets #42363-7, remove the body mount bolts, see **Diagram 2**. Place brackets up to body mounts and replace the body mount bolt. Do not tighten.
3. Place the Rancher Rugged Step onto the brackets. Use the T-bolts from kit to attach the Rancher Rugged Steps to the brackets, see **Diagram 3**. Place the T-bolt down through the slats in the Rancher Rugged Steps into the holes in the brackets. Place (1) 1/2" flat washer and (1) 1/2" hex nut onto T-bolts. Use (2) T-bolts per bracket.
4. Install the mud scraper on either the front or rear bracket (customer preference). Place mud scraper against the Rancher Rugged Step. Line up the 2 holes on the bracket with the 2 holes on the mud scraper. The T-bolt will be used on one of the holes. The other hole use (1) 1/2" x 1 1/4" HH bolt with (2) 1/2" flat washers and (1) 1/2" hex nut. Tighten brackets to truck first then tighten all T-bolts. **The non-skid tape that was provided needs to be put onto pipe around the openings of the door.**

### View of Body Mounts & Brackets



**Diagram 2**

### View of T-bolts



**Diagram 3**