

Big Tex Grille Guard
 Installation Instructions
77531 & 77531B
 Ford Van E250 - E350 '08

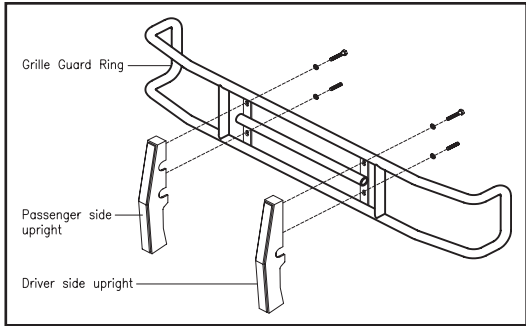


Diagram 1

Parts List:	
1 - Grille Guard Ring	8 - 1/2" x 1 1/4" HH Bolts
1 - Driver Side Upright	8 - 1/2" Flat Washers
1 - Passenger Side Upright	
2 - Brackets #77531-5	

1. Remove the contents from the box and check for missing pieces or damage. If parts are missing or damaged, contact the original place of purchase. Read the instructions completely before beginning. Two people are strongly recommended for this install.
2. **Assemble the Grille Guard Ring and Uprights:** See **Diagram 1**, assemble the Uprights to the Grille Guard Ring. Each upright will get (2) - 1/2" x 1 1/4" hex head bolts and (2) - 1/2" flat washers that will go through vertical plate on Grille Guard ring into upright. Hand tighten all bolts at this time.
3. **Remove the bumper and splash guard:** Using **Diagram 2**, remove the 4 bolts holding the bottom splash guard onto the bumper. Using **Diagram 3**, remove the 4 factory nuts (2 per side) holding the bumper onto the frame. Set aside, all parts will be reused. **Use caution when removing factory bolts - bumper is no longer secured to vehicle.**

View of Factory Splash Guard

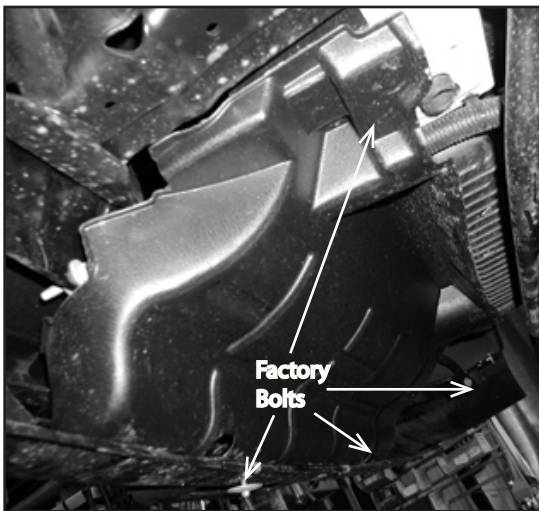


Diagram 2

View of Factory Bumper Nuts

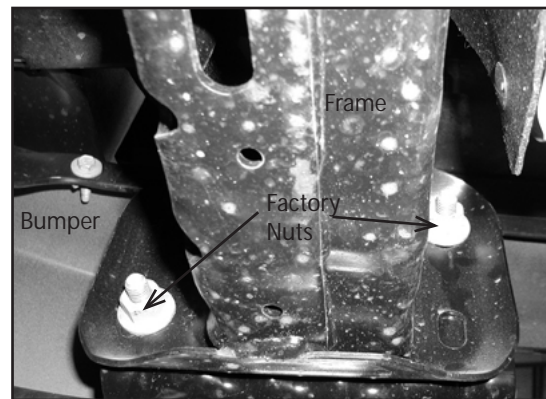


Diagram 3

