

Diagram 1

Parts List:	
1 - Grille Guard Ring #736	2 - Threaded Plates
1 - Driver Side Upright	4 - 1/2" Hex Nuts
1 - Passenger Side Upright	4 - 1/2" Lock Washers
1 - Driver Main Brackets #637-9	14 - 1/2" Flat Washers
1 - Passenger Main Brackets #637-0	14 - 1/2" x 1 1/2" HH Bolts
1 - Driver Top Bracket #637-5	
1 - Passenger Top Bracket #637-6	
1 - Driver Bottom Bracket #637-7	
1 - Passenger Bottom Bracket #637-8	

1. Remove the contents from the box and check for missing pieces or damage. If parts are missing or damaged, contact the original place of purchase. Read the instructions completely before beginning. Two people are strongly recommended for this install.

2. **Assemble the Grille Guard Ring and Uprights:** See **Diagram 1**, assemble the Uprights to the Grille Guard Ring. Each upright will get (2) - 1/2" x 1 1/4" hex head bolts and (2) - 1/2" flat washers that will go through the vertical plate on Grille Guard ring into upright. Hand tighten all bolts at this time.

View of Passenger Main Bracket #637-0

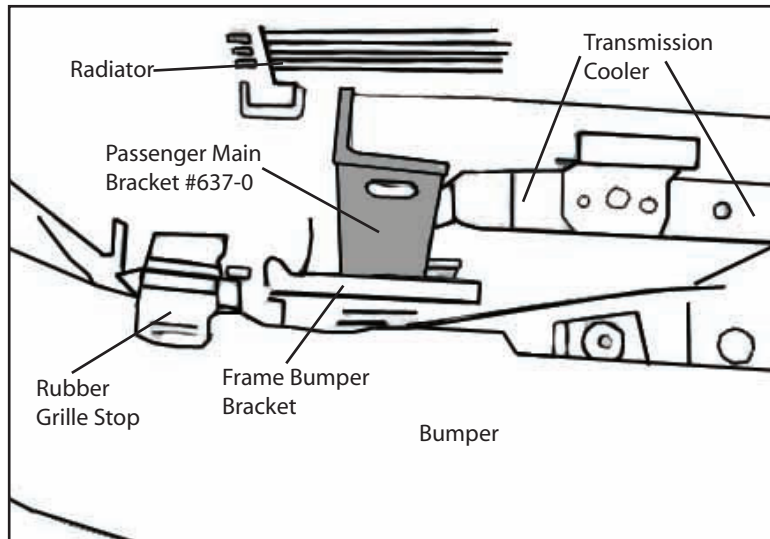


Diagram 2

3. **Install the Driver Main Bracket #637-9 and Passenger Main Bracket #637-0:** Open the hood on the truck. Using **Diagram 2**, locate the frame bumper bracket on each side of the vehicle. Remove the factory nut from the backside of the frame bracket. Locate the Driver #637-9 and Passenger #637-0 Main Brackets. Place a 1/2" flat washer onto a 1/2" x 1 1/2" HH bolt from kit into the bottom hole (opposite end of the rectangle notch) on each of the Main Brackets. The threads on bolt should point to the rear of the truck. Note: this will assist later in the bottom bracket installation.

A. Place the Passenger Main Bracket #637-0 vertically behind the vehicle's frame bumper bracket. The rectangle notch on main bracket should be near the transmission cooler, see **Diagram 2**. Place the vehicle's frame bumper bracket bolt into the third hole from the top of the Main Bracket and replace factory nut. Note: Main Bracket will be leaning back towards the radiator. Insert a 1/2" x 1 1/2" HH bolt from kit into the second hole of the Main Bracket with the threads to the front of the truck and through the opening in the vehicle's frame bumper bracket. Secure this bolt with one of the threaded plates provided. Hand tighten all bolts at this time.

B. Repeat step "A" above on the driver side to install Driver Main Bracket #637-9.

Passenger Top Bracket #637-6

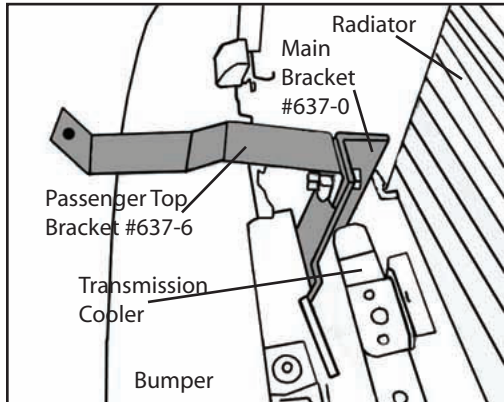


Diagram 3

Passenger Bottom Bracket #637-8

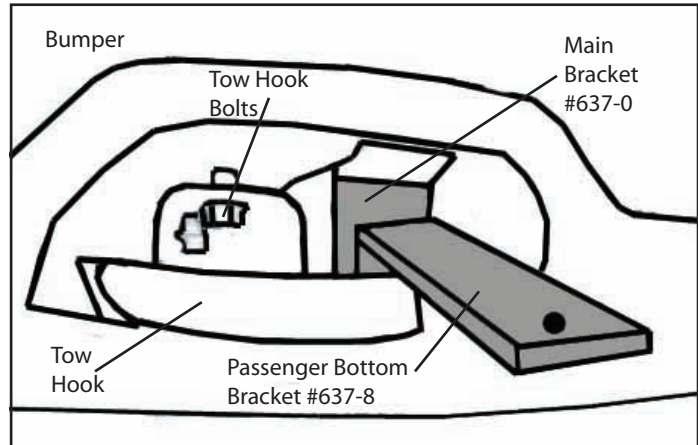


Diagram 4

4. Install the Driver Top Bracket #637-5 and Passenger Top Bracket #637-6: Locate the Driver Top Bracket #637-5 and Passenger Top Bracket #637-6. Place a 1/2" flat washer onto a 1/2" x 1 1/2" HH bolt and insert through the main bracket #637-0 into the top bracket #637-6. Place a 1/2" flat washer, 1/2" lock washer and 1/2" hex nut onto 1/2" x 1 1/2" HH bolt. Both top brackets should point over the top of the bumper. Hand tighten all nuts at this time.

5. Install the Driver Bottom Bracket #637-7 and Passenger Bottom Bracket #637-8: Locate the Driver Bottom Bracket #637-7 and Passenger Bottom Bracket #637-8.

A. Vehicles with tow hooks: If the vehicle is equipped with tow hooks, loosen the two bolts on the tow hooks but do not remove. The Bottom Brackets will come out slightly above the tow hooks and it is easier if the tow hooks are loose. Using the 1/2" x 1 1/2" HH bolts previously inserted in the Main Bracket #637-0 in Step 3, attach the Bottom Brackets #637-8 to the bottom hole on the Main Bracket #637-0, using 1/2" flat washer and 1/2" nuts, see **Diagram 4**. Hand Tighten all bolts at this time.

B. Vehicles without tow hooks: If the vehicle is not equipped with tow hooks, the plastic spoiler must be cut out for the Bottom Bracket to pass through. Align the Bottom Bracket #637-8 and Main Bracket #637-0 and place the Bottom Bracket #637-8 against the plastic spoiler and mark area to be cut. Carefully cut a slot for the Bottom Bracket #637-8 to pass through the plastic spoiler. Using the 1/2" x 1 1/2" HH bolts previously inserted in the Main Bracket #637-0 in Step 3, attach the Bottom Brackets #637-8 to the bottom hole on the Main Bracket #637-0, using 1/2" flat washer and 1/2" nuts, see **Diagram 4**. Hand Tighten all bolts at this time.

4. Attach the Grille Guard to the top brackets #637-5 & #637-6 and bottom brackets #637-7 & #637-8: Using two people align the Grille Guard holes to the top brackets and bottom brackets. Attach the Grille Guard to brackets using (2) - 1/2" x 1 1/2" hex head bolts, (2) - 1/2" flat washers per side. Place a 1/2" flat washer onto a 1/2" x 1 1/2" HH bolts and insert through brackets into the uprights. Hand tighten all the bolts at this time.

7. Center the Grille Guard on the vehicle: Center the Grille Guard on the vehicle. Tighten all bolts at this time insuring the Grille Guard remains centered on vehicle.