

420 N. Grove, Richardson, TX 75081  
 Tele: (800) 527 - 4345 Fax: (800) 442 - 5263  
 Web site: www.goindustries.com  
 E-mail: sales@goindustries.com

## Big Tex Grille Guard

Installation Instructions

**77640 & 77640B**

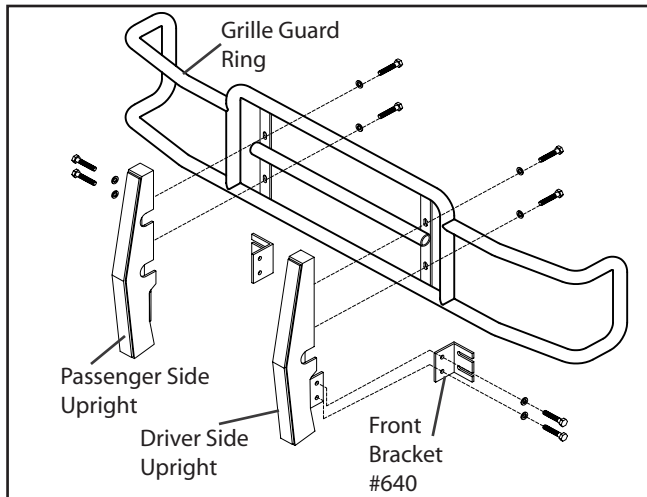
Ford Super Duty '99 - '04

Ford Excursion '00 - '04

**77641 & 77641B**

Ford Super Duty '05 - '07

Ford Excursion '05

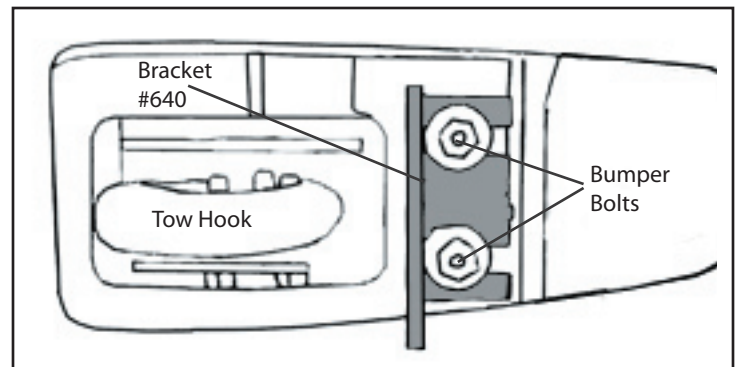


**Diagram 1**

### Parts List:

1 - Grille Guard Ring	2 - 1/2" x 1 1/2" HH Bolts
1 - Driver Side Upright	4 - 1/2" x 2" HH Bolts
1 - Passenger Side Upright	4 - 1/2" x 1 1/4" HH Bolts
2 - Brackets #640	8 - 1/2" Flat Washers
6 - 1/2" Lock Washers	

### View Of Driver Side Bracket #640



**Diagram 2**

1. Remove the contents from the box and check for missing pieces or damage. If parts are missing or damaged, contact the original place of purchase. Read the instructions completely before beginning. Two people are strongly recommended for this install.
  2. **Assemble the Grille Guard Ring and Uprights:** See **Diagram 1**, assemble the Uprights to the Grille Guard Ring. Each upright will get (2) - 1/2" x 1 1/4" hex head bolts and (2) - 1/2" flat washers that will go through the vertical plate on Grille Guard ring into upright. Hand tighten all bolts at this time.
- Note: only loosen one side of the bumper at a time.**
3. **Install Brackets #640:** Using **Diagram 2**, loosen the 2 bumper bolts on each side of the front bumper enough to slide the grille guard brackets underneath the bolts. Tighten the bolts.
  4. **Attach the Grille Guard to the front brackets #640:** Using two people align the Grille Guard holes to the front brackets #640. Attach the Grille Guard to brackets using (2) - 1/2" x 1 1/2" hex head bolts, (2) - 1/2" flat washers, per side and hand tighten the bolts.
  5. **Center the Grille Guard on the vehicle:** Center the Grille Guard on the vehicle. Tighten all bolts at this time insuring the Grille Guard remains centered on vehicle.