

420 N. Grove, Richardson, TX 75081
 Tele: (800) 527-4345 Fax: (800) 442-5263
 Web site: www.goindustries.com
 E-mail: sales@goindustries.com

Big Tex Grille Guard
 Installation Instructions
77664 & 7764B
 Dodge Ram '06 - '07 1500/2500/3500
 Fits Rams with Plastic Bumper Covers

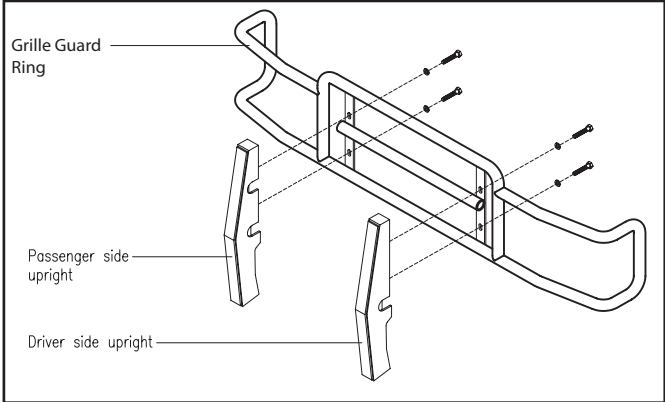


Diagram 1

Parts List:

- | | |
|--------------------------------|----------------------------|
| 1 - 661 Grille Guard Ring | 2 - 1/2" Lock Washers |
| 1 - Driver Side Upright | 4 - 1/2" x 1 1/2" HH Bolts |
| 1 - Passenger Side Upright | 4 - 1/2" Hex Nuts |
| 1 - Driver Top Bracket #615 | 6 - 1/2" x 1 1/4" HH Bolts |
| 1 - Passenger Top Bracket #616 | 10 - 1/2" Flat Washers |
| 2 - Bottom Bracket #663-7 & 8 | |
| 2 - Bottom Bracket #664-9 | |

1. Before installation check **Diagram 2** and make sure your bumper looks like the example. If your bumper looks different from **Diagram 2**, you may have the wrong part.

2. Remove the contents from the box and check for missing pieces or damage. If parts are missing or damaged, contact the original place of purchase. Read the instructions completely before beginning. Two people are strongly recommended for this install.

3. **Assemble the Grille Guard Ring and Uprights:** See **Diagram 1**, assemble the Uprights to the Grille Guard Ring. Each upright will get (2) - 1/2" x 1 1/4" hex head bolts and (2) - 1/2" flat washers that will go through vertical plate on Grille Guard ring into upright. Hand tighten all bolts at this time.

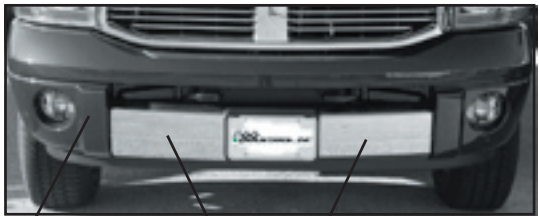
4. **Install the Driver Top Bracket #615 and Passenger Top Bracket #616:** Open the hood on the truck. Using **Diagram 3**, locate the bumper bolt on each side of the vehicle. Remove the nut from the bolt. Locate the Driver and Passenger Top Brackets, #615 and #616.

A. Place Driver Top Bracket #615 onto bumper bolt. The end of the Driver Top Bracket #615 (**Diagram 4**) with the 90 degree bend should go onto bumper bolt. Replace nut and hand tighten at this time.

B. Repeat step "A" above on the passenger side to install Passenger Top Bracket #616.

5. **1500 Only Install the Bottom Bracket #663 -7 & 8 :** Using **Diagram 5**, remove the 1/2" bolt from "B". Slide bottom bracket #663-7 up till it centers on upper hole on bottom bracket #663-8. Replace 1/2" bolt into upper hole replace 1/2" nut and 1/2" lock washer. Bracket should look like "A" in **Diagram 5**. Do not tighten. Using **Diagram 6**, locate the factory frame bolt on the vehicle. Remove the factory nut from the factory frame bolt. Place bottom bracket #663-7 onto the factory frame bolt. Re-place the factory nut over the bottom bracket #663-7. Do not tighten.

Plastic bumper



Plastic Bumper Chrome Plated Plastic **Diagram 2**

View Behind Bumper (Driver Side)

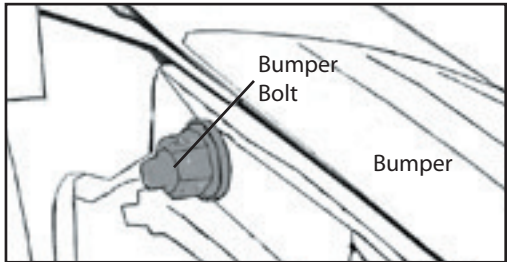


Diagram 3

Driver Top Bracket #615 Installed

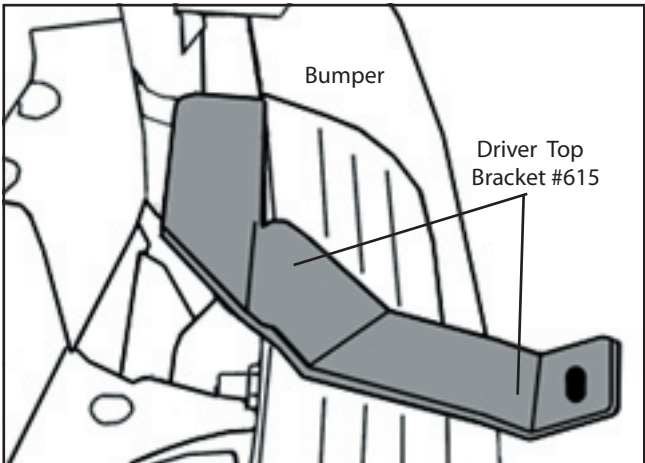


Diagram 4

420 N. Grove, Richardson, TX 75081
 Tele: (800) 527 - 4345 Fax: (800) 442 - 5263
 Web site: www.goindustries.com
 E-mail: sales@goindustries.com

View of Bracket #663-7 and #663-8

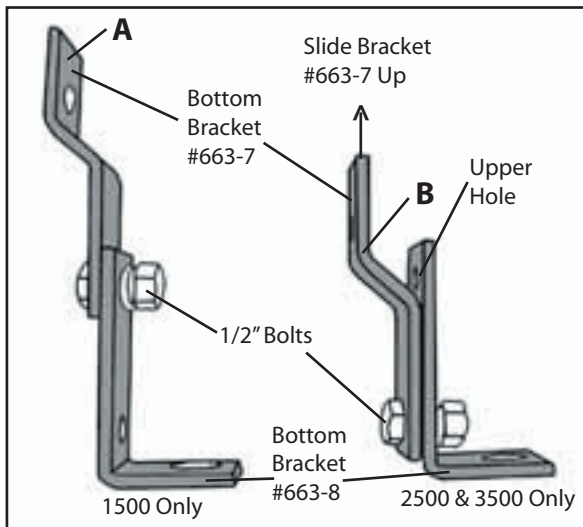


Diagram 5

View Behind Bumper with Frame Bolt

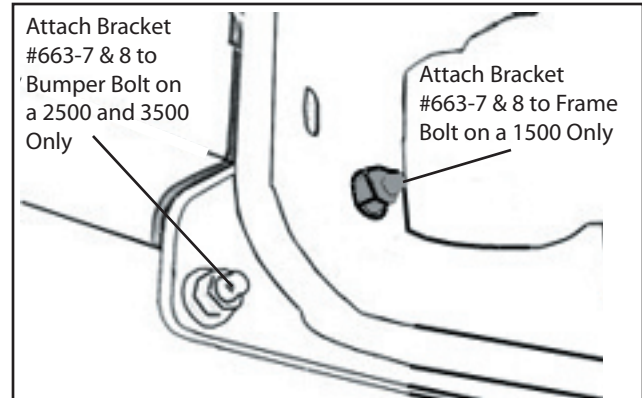


Diagram 6

View of Bottom Bracket #664-9

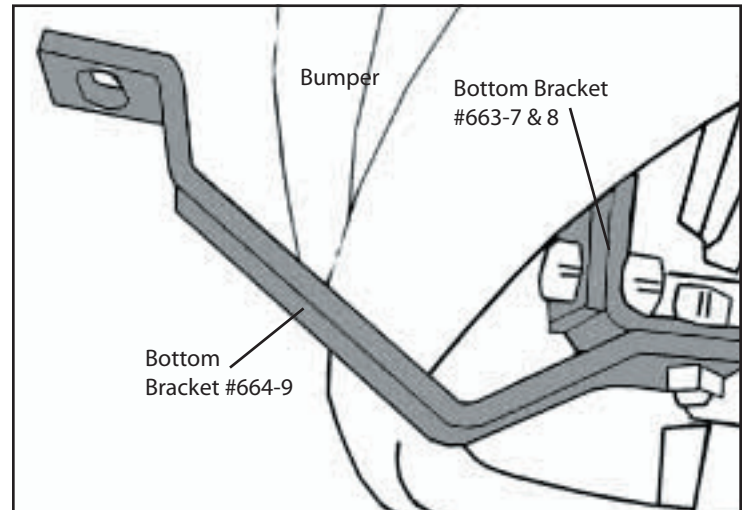


Diagram 7

6. 2500/3500 Only Install the Bottom Bracket #663-7 & 8: The bracket #663-7 & 8 is in the kit the way it needs to be installed. Do not remove the 1/2" bolt on the 2500 & 3500 vehicles. Using **Diagram 6**, locate the bumper bolt. Remove the nut from the bumper bolt and place bottom bracket #663-7 & 8 up to bumper bolt then replace nut. Do not tighten.

7. Install the Bottom Bracket #664-9: Using **Diagram 7**, attach bottom bracket #664-9 to bottom bracket #663-7 & 8 as shown in **Diagram 7**. Use the 1/2" x 1 1/4" HH bolt in kit to attach bottom bracket #663-9 to bottom bracket #663-7 & 8 with a 1/2" flat washer, 1/2" lock washer and a 1/2" hex nut. Do not tighten.

8. Attach the Grille Guard to the mounting brackets: Using two people align the Grille Guard holes to the top brackets. Attach the Grille to the top brackets #615, #616 and bottom brackets 3663-9 using 1/2" x 1 1/2" hex head bolts, 1/2" flat washers (2), per hole in upright. Hand tighten all bolts at this time.

9. Center the Grille Guard on the vehicle: Center the Grille Guard on the vehicle. Tighten all bolts at this time insuring the Grille Guard remains centered on vehicle.

Caution:

Lower hood carefully, make sure there is clearance for the hood to close. Damage could occur if hood is closed onto Grille Guard. Note: Grille Guard can be adjusted for clearance by loosening top and bottom bracket. Push bottom of grille guard in and tighten bottom bracket first, then top bracket.