



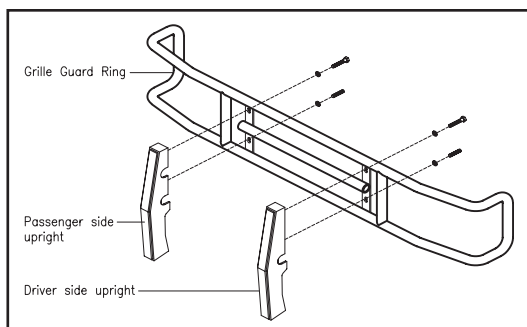
420 N. Grove, Richardson, TX 75081  
 Tele: (800) 527 - 4345 Fax: (800) 442 - 5263  
 Web site: www.goindustries.com  
 E-mail: sales@goindustries.com

## Big Tex Grille Guard

Installation Instructions

### **77690 & 77690B**

Chevy CK Pickups 2500/3500 '92 - '00  
 Chevy CK Pickups 1500 '88 - '98  
 Chevy Surburban '92 - '99  
 Chevy Tahoe '95 - '99  
 GMC CK Pickups 2500/3500 '92 - '00  
 GMC CK Pickups 1500 '88 - '98  
 GMC Yukon '95 - '99



**Diagram 1**

#### **Parts List:**

1 - Grille Guard Ring	2 - 3/8" x 3" All Thread Studs
1 - Driver Side Upright	2 - 3/8" Hex Nuts
1 - Passenger Side Upright	2 - 3/8" Flat washers
1 - Driver Top Bracket #680-5	6 - 1/2" x 1 1/4" HH Bolts
1 - Passenger Top Bracket #680-6	6 - 1/2" Flat Washers
1 - Driver Bottom Bracket #680-7	
1 - Passenger Bottom Bracket #680-8	

1. Remove the contents from the box and check for missing pieces or damage. If parts are missing or damaged, contact the original place of purchase. Read the instructions completely before beginning. Two people are strongly recommended for this install.

2. **Assemble the Grille Guard Ring and Uprights:** See Diagram 1, assemble the Uprights to the Grille Guard Ring. Each upright will get (2) - 1/2" x 1 1/4" hex head bolts and (2) - 1/2" flat washers that will go through vertical plate on Grille Guard ring into upright. Place the (2) - 3/8" x 2 1/2" all thread studs into the third welded plate from the top of the upright. Make sure the 3/8" x 2 1/2" all thread stud is showing past the bottom of the welded plate in the upright. Hand tighten all bolts at this time.

3. **Install the Driver Top Bracket #680-5 and Passenger Top Bracket #680-6:** To install driver top bracket #680-5 place bracket behind bumper and slide bracket into place between chrome bumper and factory grille. Driver top bracket #680-5 will clip close to the frame opening on the bumper.

A. Repeat above procedure for the passenger top bracket #680-6

4. **Install the Driver Bottom Bracket #680-7 and Passenger Bottom Bracket #680-8:** To install the driver bottom bracket #680-7 remove driver side bottom bumper bolt above the tow hook. Place factory bolt through the driver bottom bracket #680-7 into the bumper. Hand tighten at this time.

A. Repeat above procedure for the passenger bottom bracket #680-8.

5. **Attach the Grille Guard to the top brackets #680-5 & #680-6 and bottom brackets #680-7 & #680-8:** Using two people align the Grille Guard holes to the top brackets #680-5 & 680-6. Place the (2) - 3/8" x 2 1/2" all thread studs through the top brackets. Place (2) - 3/8" flat washer and (2) - 3/8" hex nuts onto (2) - 1/2" x 2 1/2" all thread studs. Place (2) - 1/2" flat washer onto (2) - 1/2" x 1" HH bolt put through bottom brackets #680-7 & #680-8 into the upright. Hand tighten the nuts and bolts at this time.

6. **Center the Grille Guard on the vehicle:** Center the Grille Guard on the vehicle. Tighten all bolts at this time insuring the Grille Guard remains centered on vehicle.